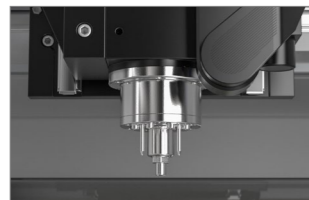


DATRON neo

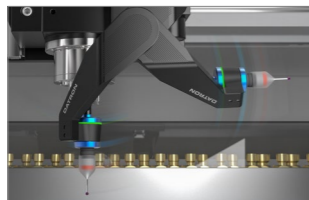
The DATRON neo is setting new standards in terms of quality, process reliability and user-friendliness. With the proven plug & play principle and the intuitive DATRON next software, users can work productively straight away, regardless of their level of experience. The excellent access to the work area makes it very easy to load and set up workpieces. Thanks to the integrated camera and the DATRON 3D probe, workpiece set-up is unmatched in terms of simplicity, speed and precision. The DATRON neo impresses with its high performance and dynamics while remaining extremely compact and versatile.



Highlights



High-Frequency Spindle and Cooling Unit
With newly adjusted bearings and compressor cooling unit.



DATRON 3D probe
Precise measurements and robust behavior for improved workpiece quality.

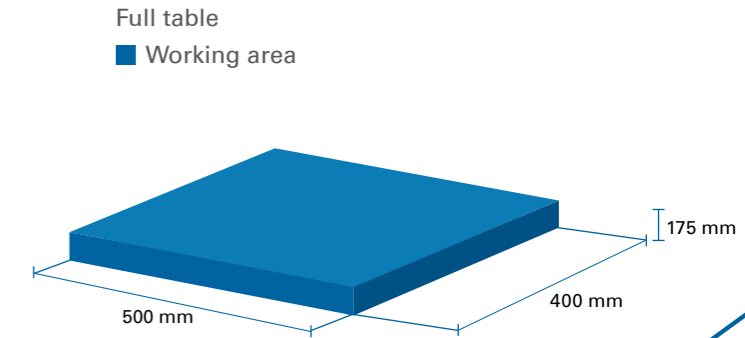
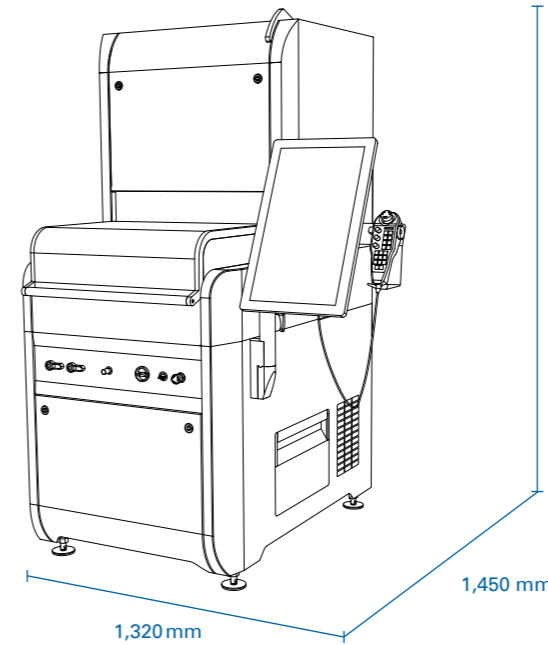


Chip Management
Revised tool magazine with improved seal included.



Coolant Tank
Filling quantities selectable between 5 or 10 liters and 90° swivel mechanism for easy filling.

Technical Data



Use QR code for more information



www.datron.de/prdct-neo

	DATRON neo	DATRON neo+	DATRON neo+ LS
Traverse path (XxYxZ)	520 mm x 420 mm x 220 mm		
Working area (XxYxZ)	500 mm x 400 mm x 175 mm (Z = portal passage)		
Machining spindle	2.0 kW HF spindle; up to 40,000 rpm, direct shank		
Tool magazine	24 stations tool-holding fixture and integrated tool length probe		
Machining table	Portal construction UHPC, mineral-cast machine bed, aluminium table, steel stand		
Control system/software	DATRON next		
Operating terminal	24" multi-touch screen with user-friendly hand-held control unit		
Component measurement	DATRON 3D probe		
Rotary axis	DATRON Axis4 (optional)		
Minimum-quantity cooling lubrication system	5 or 10 liters coolant tank; 2-nozzles spray ring		
Linear absolute encoders	-	-	All axes
Positioning feed	Up to 18 m/min	Up to 28 m/min	Up to 28 m/min
Feed	Up to 18 m/min	Up to 28 m/min	Up to 28 m/min
Installation dimensions with operating terminal (WxDxH)	1,320 mm x 1,450 mm x 1,900 mm		
Installation dimensions without operating terminal (WxDxH)	805 mm x 1,450 mm x 1,900 mm		
Weight	Approx. 740 kg		