

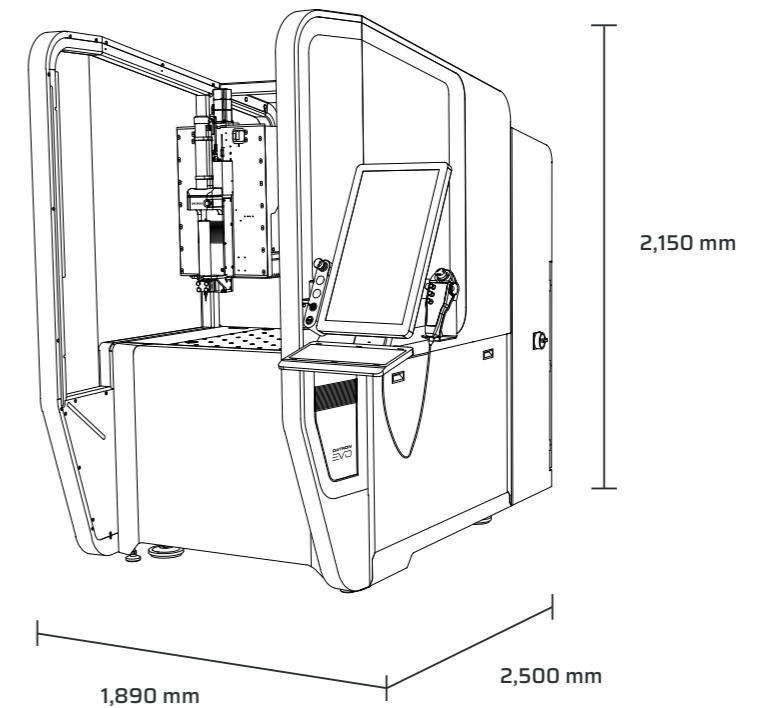
DATRON

evo 600

With the DATRON evo 600, experience a dispensing machine that revolutionizes your production processes. Achieve outstanding dispensing results thanks to the innovative DATRON next control and our precise dispensing technology. The open cabin not only offers easy access for loading and unloading but also guarantees the highest possible level of safety with integrated light curtains. The user-friendly operating interface of the future-oriented DATRON next control offers intuitive handling while the modular design offers flexibility for the configuration. Maximize your efficiency and future viability with the DATRON evo 600.



Technical Data



Use QR code for more information



www.datron.de/evo600-en

	DATRON evo 600
Machine construction	CNC axis system with table and cabin
Maximum work piece height	250 mm (factory increase to 450 mm possible)
Traversing speed X, Y	up to 50 m/min
Traversing speed Z	up to 23 m/min
Traversing area (XxYxZ)	620 mm x 515 mm x 240 mm
Machining table	Aluminum table with M6 taper thread grid (100 mm x 100 mm)
Control system / software	DATRON next
Operating terminal	24" multi-touch screen with additional manual control panel
Safety concept	Safety light curtain type 4
Drive system	Digital servo drives
Compressed air supply	6.5 bar, purity class ISO8573-1:2010 [3 : 4 : 3]
Electrical connection	400 V, CEE 16 A, 4.5 kVA
Installation dimensions with operating terminal (WxDxH)	1,890 mm x 2,500 mm x 2,150 mm
Installation dimensions without operating terminal (WxDxH)	1,290 mm x 2,200 mm x 2,150 mm
Weight	approx. 1,900 kg